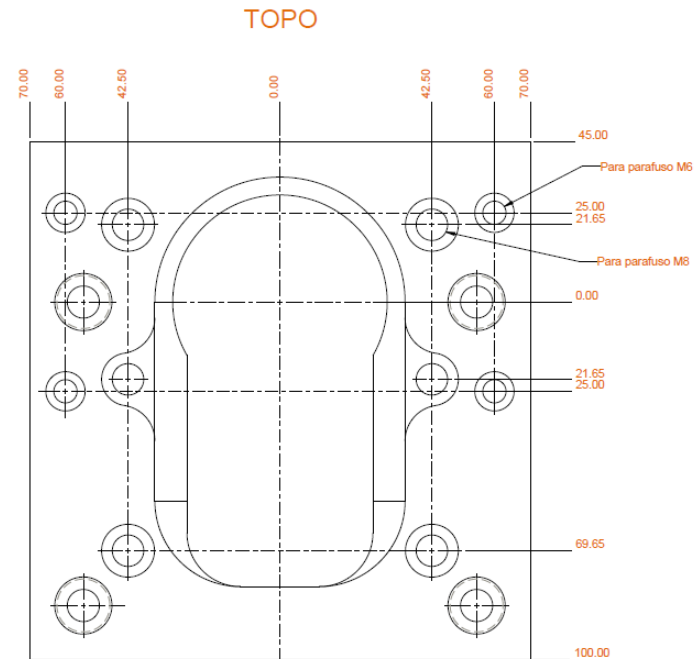


## Injection Molding Machine Specifications

# Babyplast UAI I25 (23Gr.)



# Babyplast UAI I25



## Babyplast UAI I25

Injection and Plasticizing Unit		Value
Screw diameter	( mm )	20
Injection Pressure	( Bar )	980
Stroke volume	( cm <sup>3</sup> )	25
Shot Weight ( PS )	( g )	23
Injection Speed	( cm <sup>3</sup> /s )	10,7
Dry Cicle	( s )	1,4

## Contactos

### MORADA

Rua da Serração nº73  
Guarda Nova  
2430 - 154 Marinha Grande  
PORTUGAL

GPS: 39°44'44.7"N 8°56'45.8"W

📞 +351 244 575 424

✉ geral@imoinject.pt