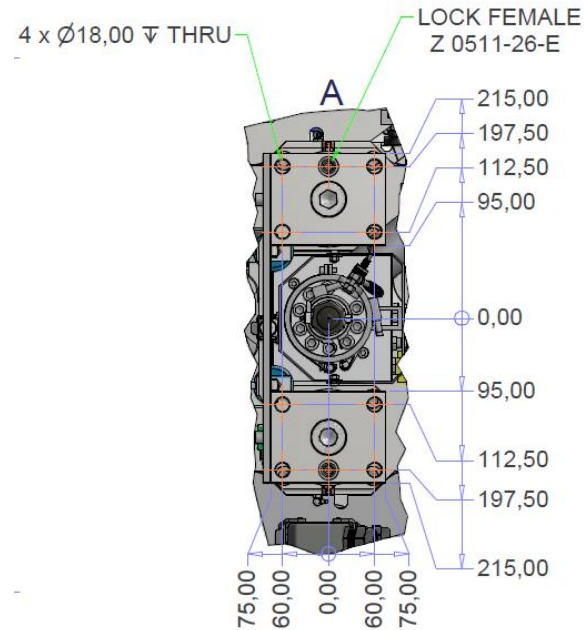


Injection Molding Machine Specifications  
Secondary Units

## Plasdan EL.0300.40.H (199gr.)



Plasdan EL.0300.40.H



# Plasdan EL.0300.40.H

| Injection and Plasticizing Unit |                     | Value |
|---------------------------------|---------------------|-------|
| Screw diameter                  | ( mm )              | 40    |
| L/D Ratio                       |                     | 19,5  |
| Injection Pressure              | ( Bar )             | 1400  |
| Stroke volume                   | ( cm <sup>3</sup> ) | 219   |
| Shot Weight ( PS )              | ( g )               | 199   |
| Maximum screw stroke            | ( mm )              | 175   |
| Injection Speed                 | ( mm/s )            | 155   |
| Screw speed                     | ( r/min )           | 300   |

## Contactos

### MORADA

Rua da Serração nº73  
Guarda Nova  
2430 - 154 Marinha Grande  
PORTUGAL

GPS: 39°44'44.7"N 8°56'45.8"W

📞 +351 244 575 424

✉ geral@imoinject.pt