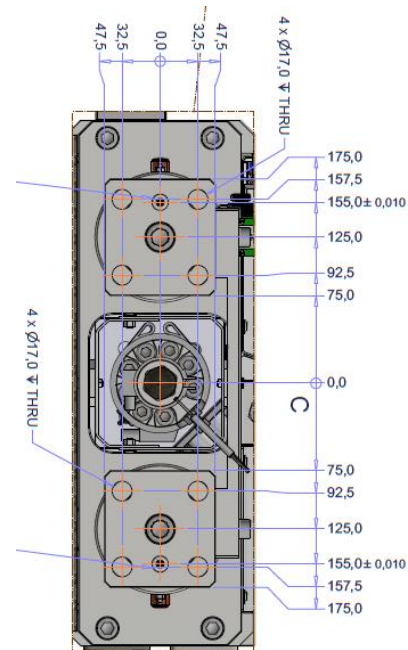


Injection Molding Machine Specifications
Secondary Units

Plasdan EL.0120.30.H (59gr.)



Plasdan EL.0120.30.H



Plasdan EL.0120.30.H

Injection and Plasticizing Unit		Value
Screw diameter	(mm)	25
L/D Ratio		20
Injection Pressure	(Bar)	2000
Stroke volume	(cm ³)	61,3
Shot Weight (PS)	(g)	59
Maximum screw stroke	(mm)	125
Injection Speed	(mm/s)	150
Screw speed	(r/min)	300

Contactos

MORADA

Rua da Serração nº73
Guarda Nova
2430 - 154 Marinha Grande
PORTUGAL

GPS: 39°44'44.7"N 8°56'45.8"W

☎ +351 244 575 424

✉ geral@imoinject.pt