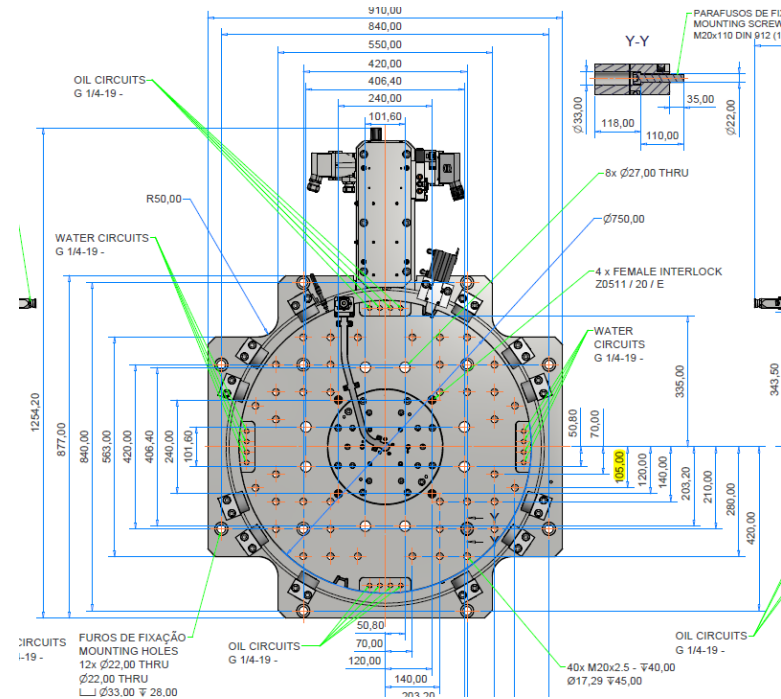
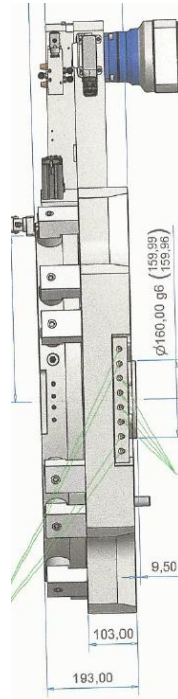


Injection Molding Machine Specifications
Rotary Table

Rotary Table - PRX 750

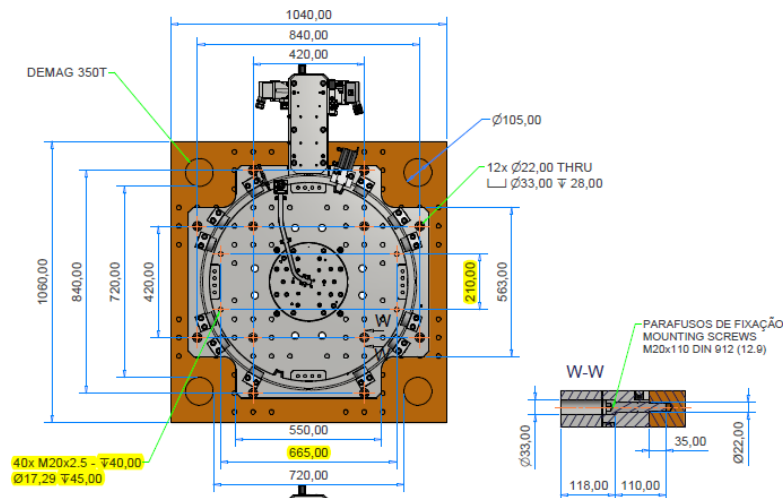


Rotary Table - PRX 750

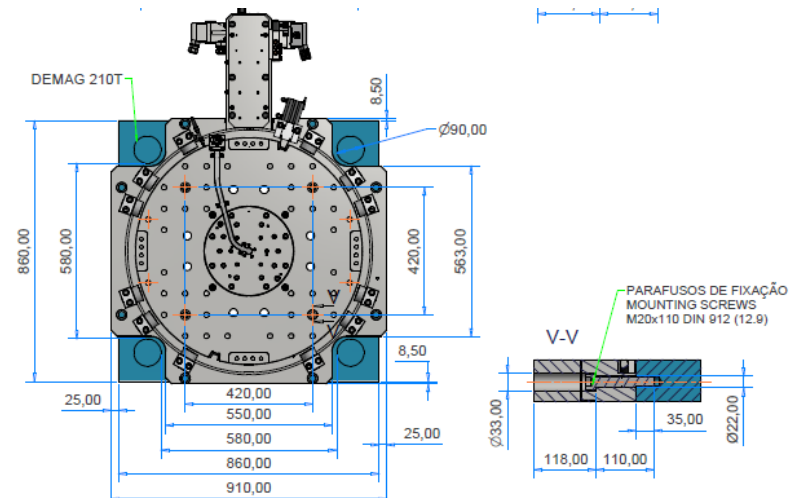


Rotary Table - PRX 750

Position in Demag 350-1450



Position in Demag 210-840



Contactos

MORADA

Rua da Serração nº73
Guarda Nova
2430 - 154 Marinha Grande
PORTUGAL

GPS: 39°44'44.7"N 8°56'45.8"W

☎ +351 244 575 424

✉ geral@imoinject.pt